

Strip-120

Strip Tags are designed as UHF Gen2 Long-range passive tags which are fit for innumerable application areas.

They can be imposed on various assets such as pallets, crates, and non-metal containers.

They provide extravagant reliability and read-range performance which evidently states their versatile and durable nature.

Their ability to acclimatize makes them suitable for utilization in diverse industries.



Applications



Warehouse Management



Retail Management



Asset Tracking

Ordering Information

Part Number	Item Details
RFAB-140208-ETSI/FCC	IMPINJ M730/ M750 IC



Electrical Specifications

Operational Frequency	FCC: 902-928MHz ETSI: 865- 868 MHz
Interface Protocol	ISO 18000-63 and EPCglobal Gen2v2
Chip Type*	IMPINJ M730/ M750
Memory Configuration	EPC Memory – 96 bits User Memory -32 bits
Data Retention	50 Years
Write Cycle Endurance	100,000 cycles
Read Range**	Upto 18 meter

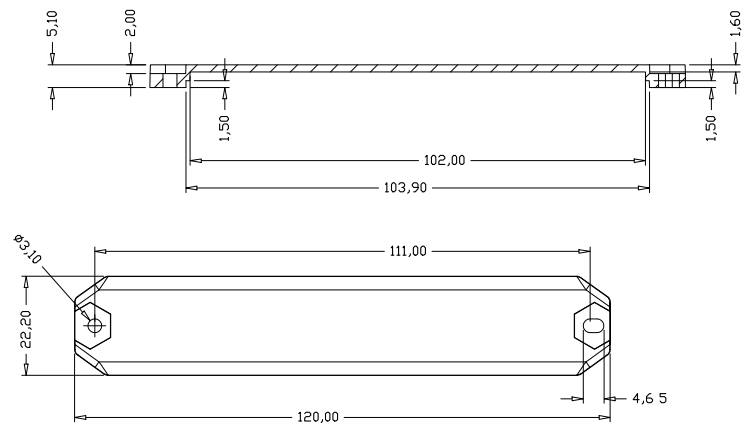
Product Characteristics

Tag Size	120 x 22 x 05 mm /4.72 x 0.86 x 0.19 in
Yield	100 %
Material	ABS
Packaging	100 Tags / Packet
Attachment	Screw , Riviting

Environmental Specifications

Operating Temperature	-40 to +85 °C
Storage Temperature	-40 to +85°C
IP Rating	IP67

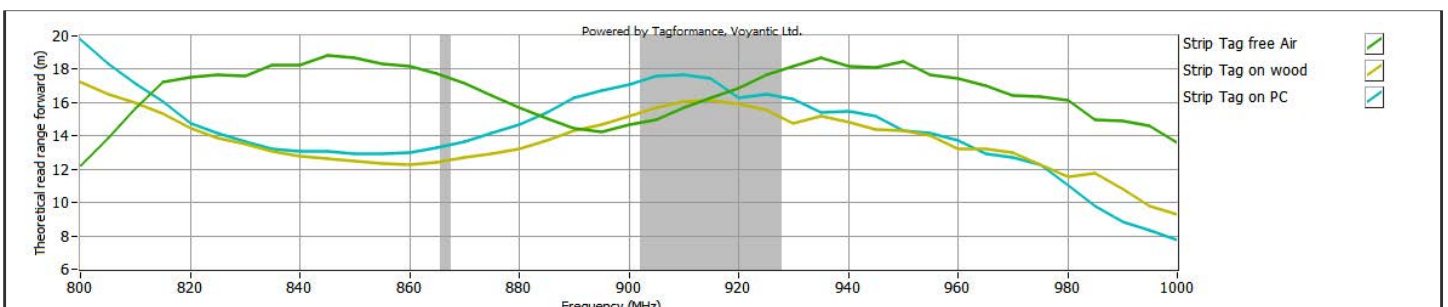
Product Drawing



Personalization

- Customer specific encoding of EPC
- Customised printing of logo, text, barcode etc

READ RANGE GRAPH



PID STRIP 120 - RF performance(M730)

** The indicated read range values are measured in our laboratory testing environment, where antennas with optimum directivity are used with maximum allowed operating power. Different surface materials and environments may exhibit different results.